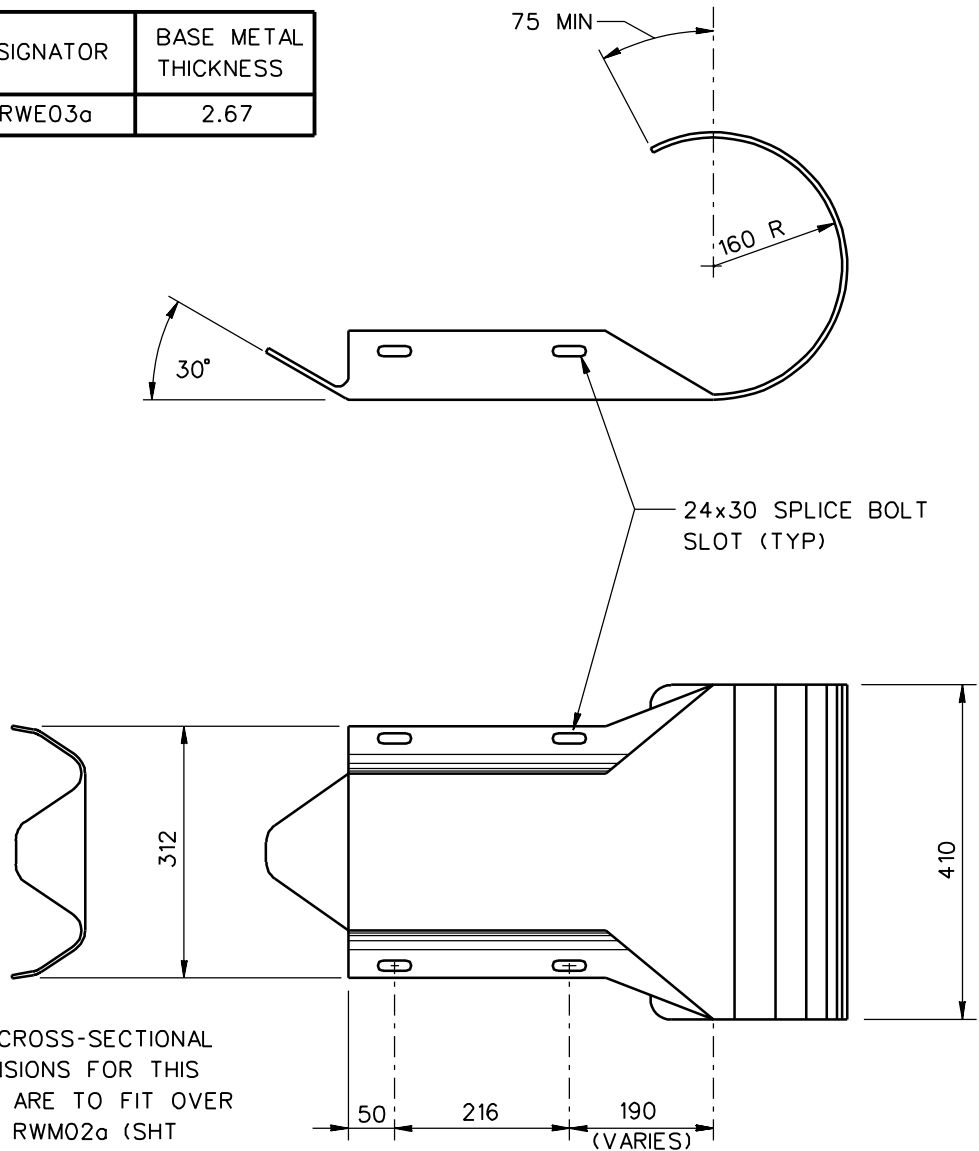


DESIGNATOR	BASE METAL THICKNESS
RWE03a	2.67



1994

W-BEAM END SECTION (ROUNDED)

RWE03a

SHEET NO.	REF. NO.
1 of 2	RE-6-79