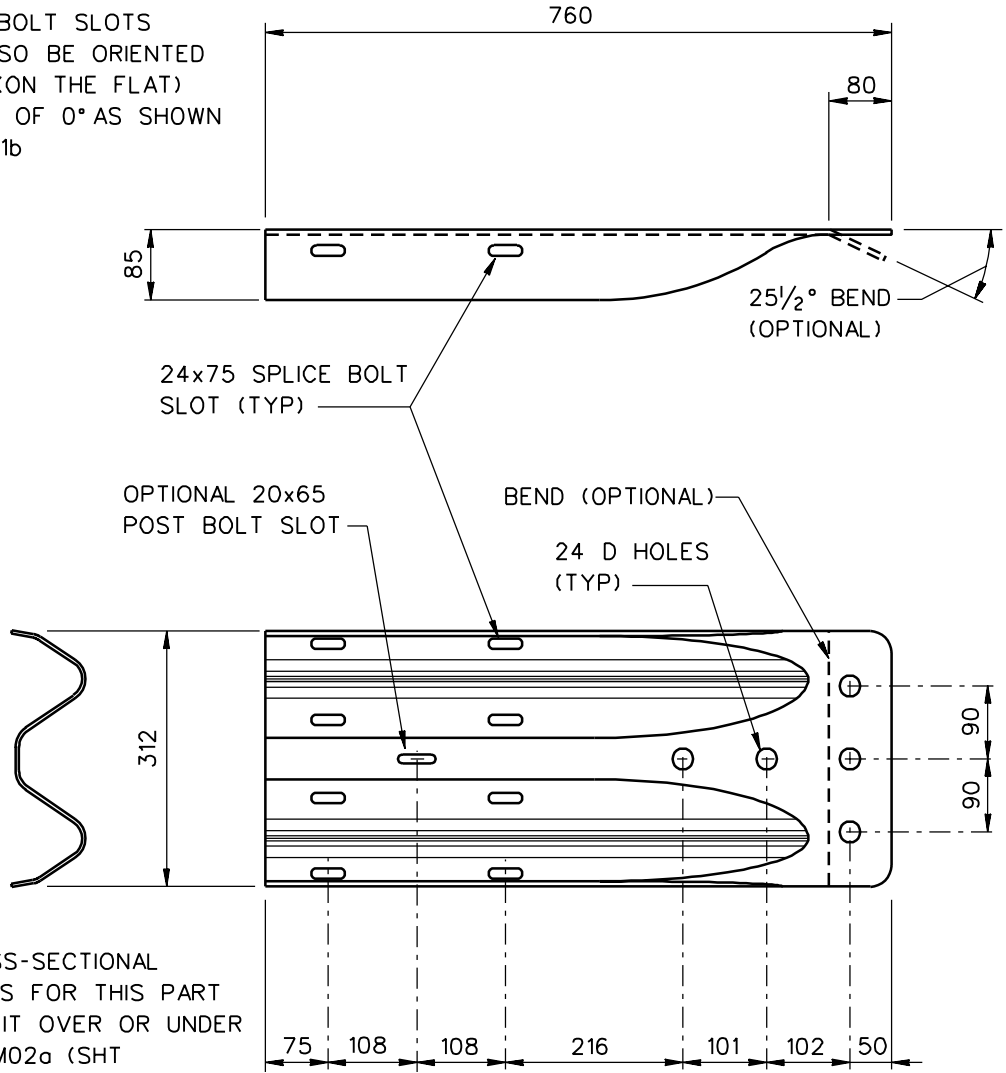


NOTE:

SPLICE-BOLT SLOTS
MAY ALSO BE ORIENTED
AT 50° (ON THE FLAT)
INSTEAD OF 0° AS SHOWN
IN RTE01b



THE CROSS-SECTIONAL
DIMENSIONS FOR THIS PART
ARE TO FIT OVER OR UNDER
PART RWM02a (SHT
3 of 4)

DESIGNATOR	BASE METAL THICKNESS
RWE02a	2.67
RWE02b	3.43

1994

W-BEAM TERMINAL CONNECTOR

RWE02a-b

SHEET NO.	REF. NO.
1 of 2	RE-8-79