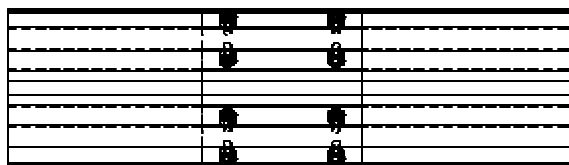
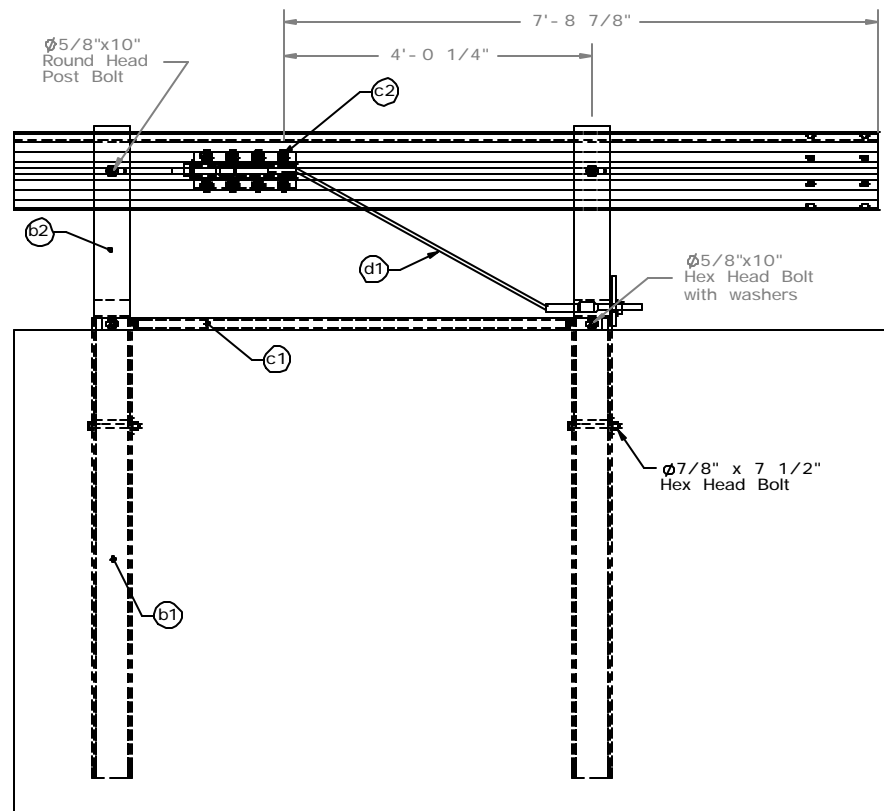


SPLICE DETAIL



DETAIL C
SCALE 1 : 15



END RAIL DETAIL



Midwest Roadside
Safety Facility

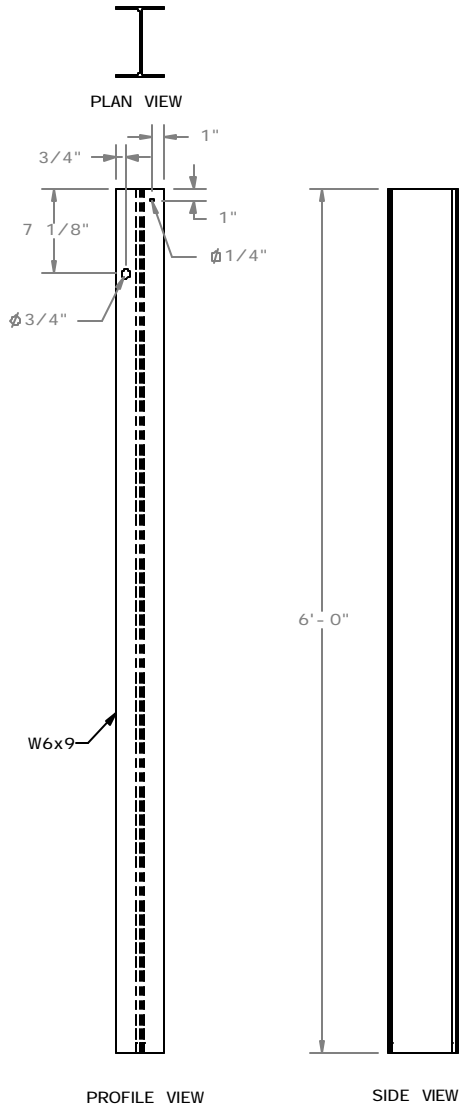
MGS Standard

End Rail Detail
Splice Detail

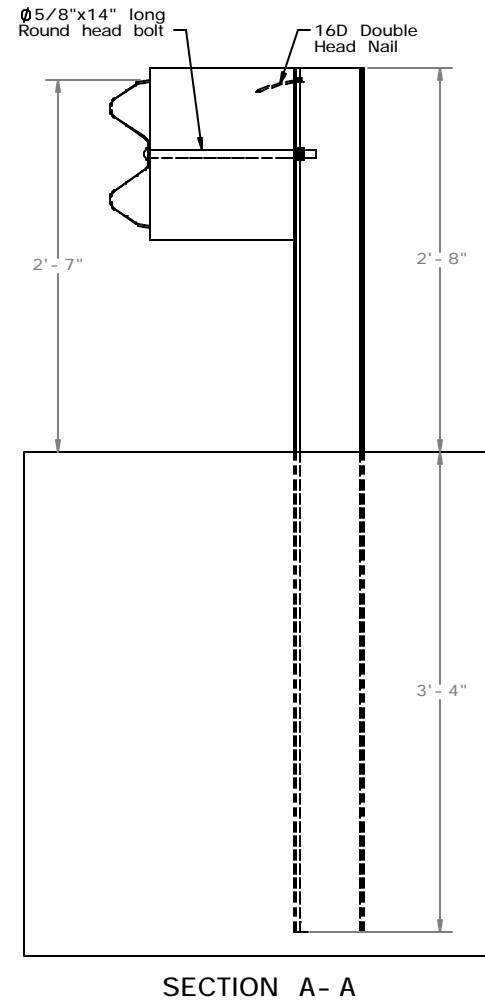
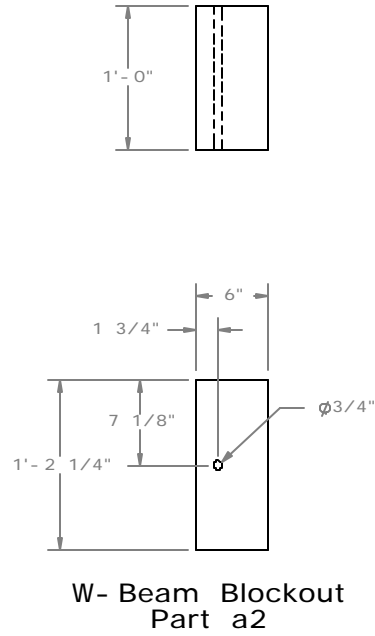
DWG. NAME.
MGS_Standard

SCALE: None
UNITS: Inches

SHEET:
2 of 7
DATE:
01/09/2005
DRAWN BY:
GEP
REV. BY:
KAP



W- Beam Post
Part a1



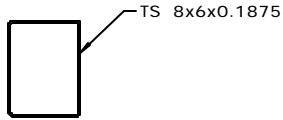
Midwest Roadside
Safety Facility

MGS Standard
Posts 3- 27 Detail

DWG. NAME.
MGS_Standard

SCALE: None
UNITS: Inches

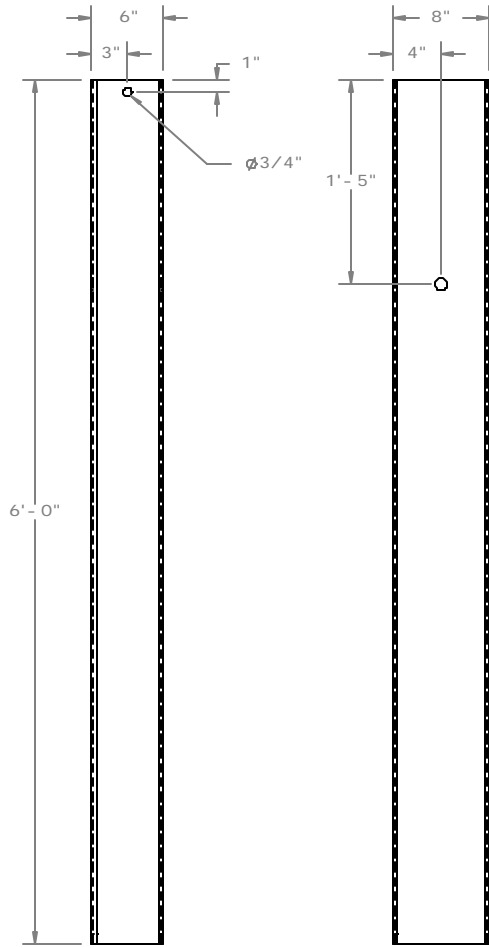
SHEET:
3 of 7
DATE:
01/09/2005
DRAWN BY:
GEP
REV. BY:
KAP



PLAN VIEW



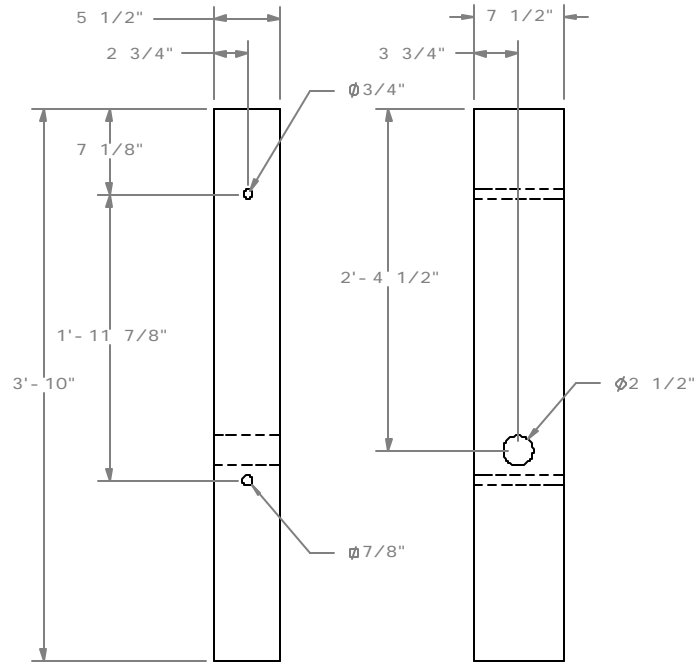
PLAN VIEW



PROFILE VIEW

SIDE VIEW

Foundation Tube
Part b1



PROFILE VIEW

SIDE VIEW

BCT (MGS) Timber Post
Part b2



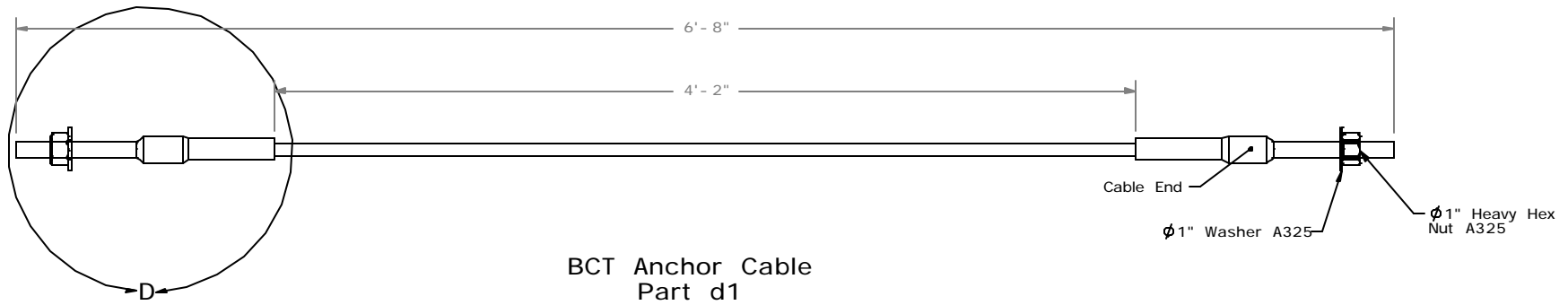
Midwest Roadside
Safety Facility

MGS Standard
BCT Timber Posts &
Foundation Tube Detail

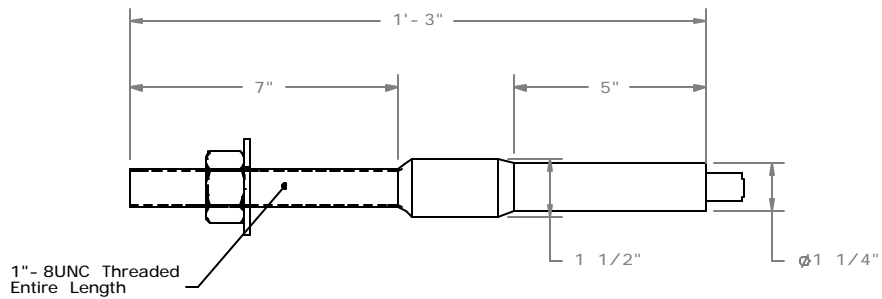
DWG. NAME.
MGS_Standard

SCALE: None
UNITS: Inches

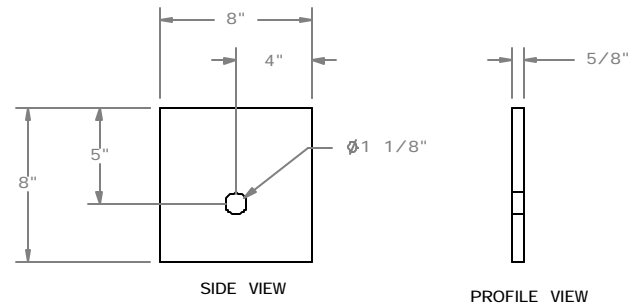
SHEET:
4 of 7
DATE:
01/09/2005
DRAWN BY:
GEP
REV. BY:
KAP



BCT Anchor Cable
Part d1



DETAIL D
SCALE 1 : 5



Anchor Cable
Bearing Plate
Part d2



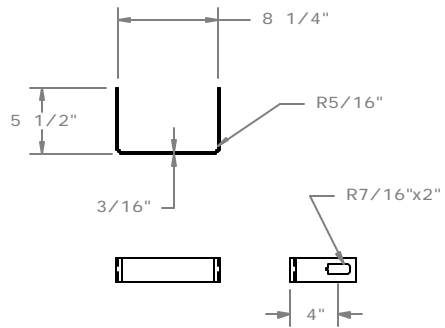
Midwest Roadside
Safety Facility

MGS Standard
BCT Anchor Cable Detail

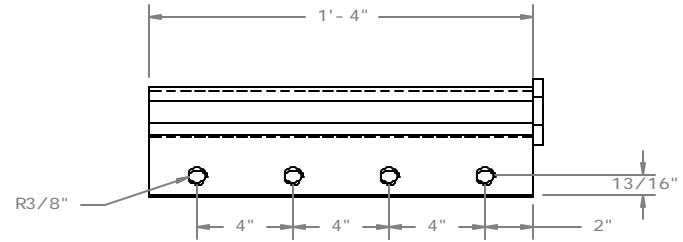
DWG. NAME.
MGS_Standard

SCALE: None
UNITS: Inches

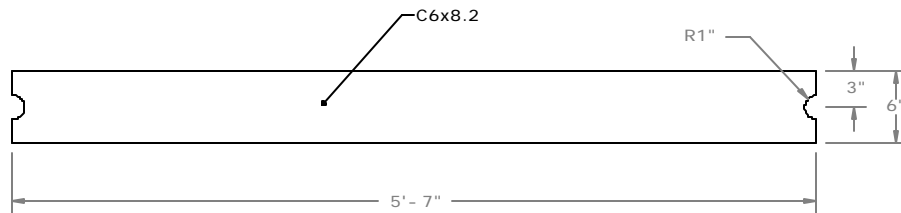
SHEET:
5 of 7
DATE:
01/09/2005
DRAWN BY:
GEP
REV. BY:
KAP



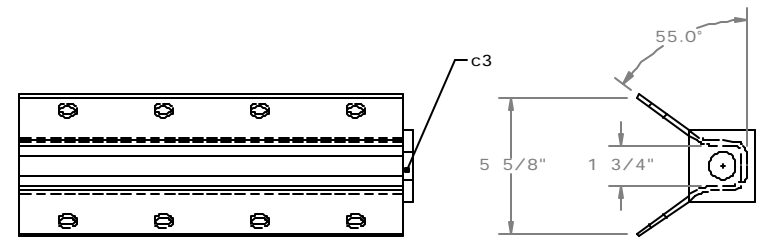
Yoke Detail



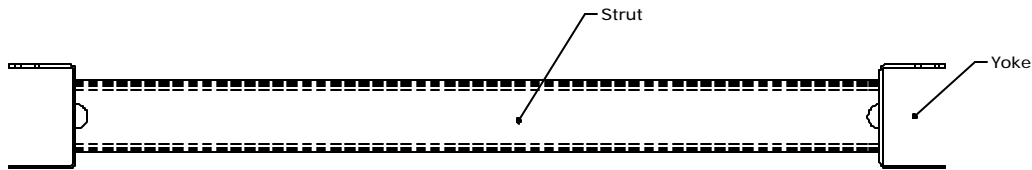
Anchor Bracket
Part c2



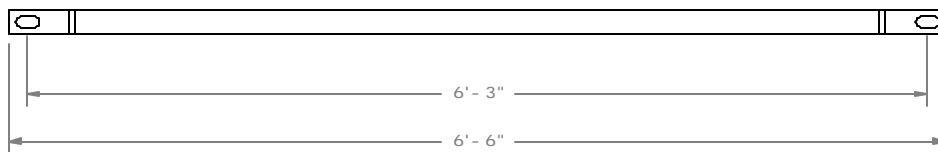
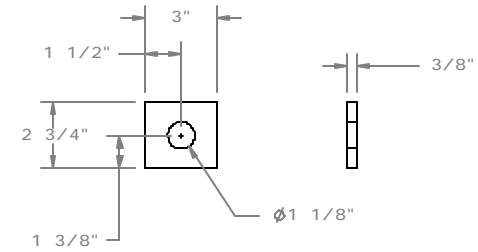
Strut Detail



Anchor Bracket
Bearing Plate
Part c3



PLAN VIEW



PROFILE VIEW

Ground Strut
Part c1



Midwest Roadside
Safety Facility

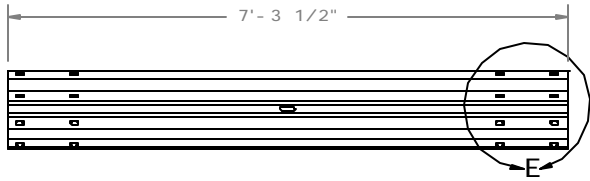
MGS Standard

Ground Strut & Anchor
Bracket Details

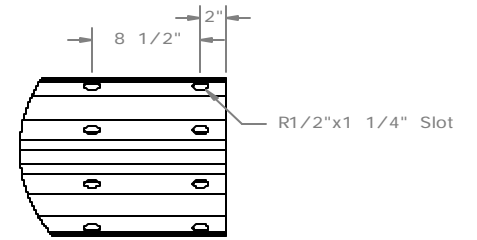
DWG. NAME.
MGS_Standard

SCALE: None
UNITS: Inches

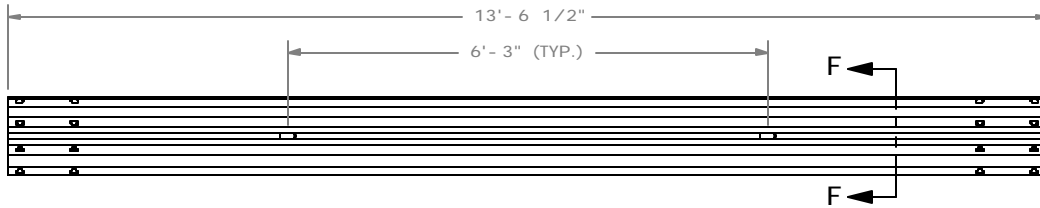
SHEET:
6 of 7
DATE:
01/09/2005
DRAWN BY:
GEP
REV. BY:
KAP



6'- 3" W- Beam Section, 12 gauge



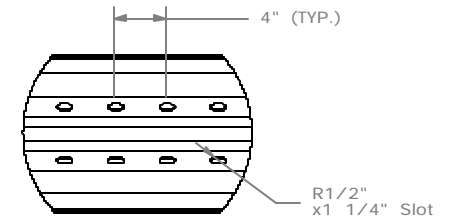
DETAIL E
SCALE 1 : 15



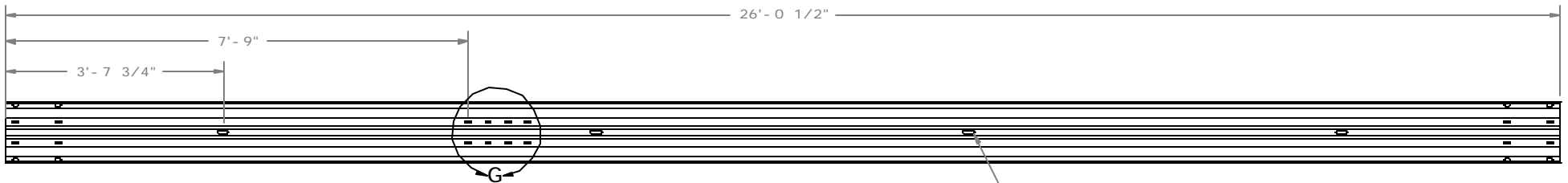
12'- 6" W- Beam Section, 12 gauge



SECTION F- F



DETAIL G
SCALE 1 : 15



25' W- Beam Section, 12 gauge, End Section



Midwest Roadside
Safety Facility

MGS Standard
Rail Section Details

DWG. NAME:
MGS_Standard

SCALE: None
UNITS: Inches

SHEET:
7 of 7
DATE:
01/09/2005
DRAWN BY:
GEP
REV. BY:
KAP