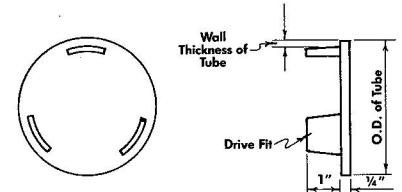
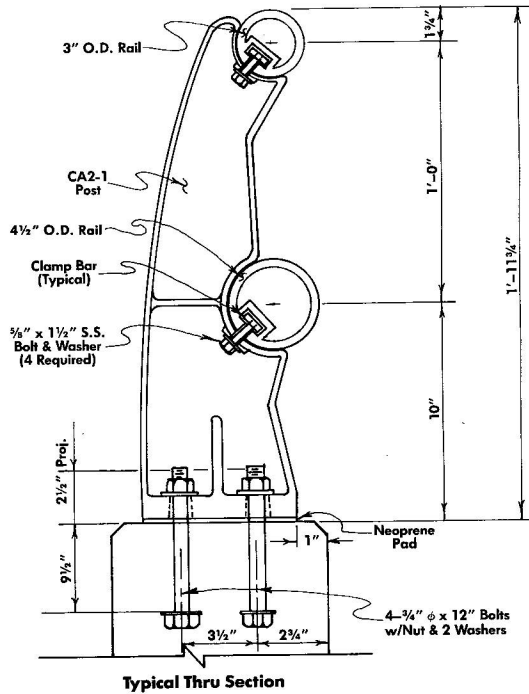


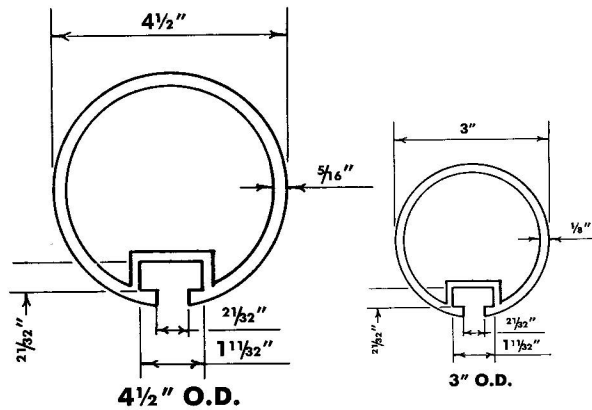
Typical Bridge Rail Detail



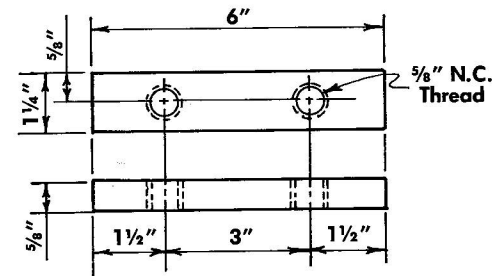
Aluminum End Cap Detail



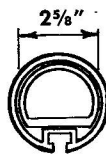
Typical Thru Section



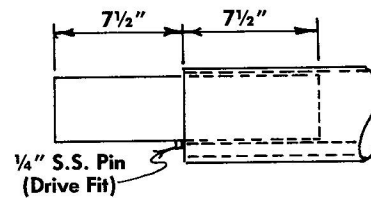
Rail Members



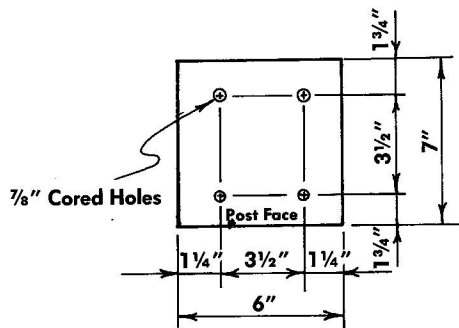
Clamp Bar



Splice Detail For 3" Rail



Splice Detail For 4 1/2" Rail



Post Base
Neoprene Pad Similar
(1/8" Neoprene)

Aluminum Combination Rail CA2-1

GENERAL NOTES:

- Posts Shall Be Cast Aluminum Alloy ASTM A-356.
- Rails, Splice Bars And Clamp Bars Shall Be Extruded Aluminum Alloy 6061-T6, ASTM B-221.
- All Open Ends Of Rail Shall Be Capped.
- Rail Splice Is Required At Each Expansion Joint.
- Anchor Bolts Shall Be ASTM A-325, Hot Dip Galvanized.
- This Rail Conforms To The City Of Dallas Std. 251D.

Gordon's Specialties Inc.
Dallas, Texas