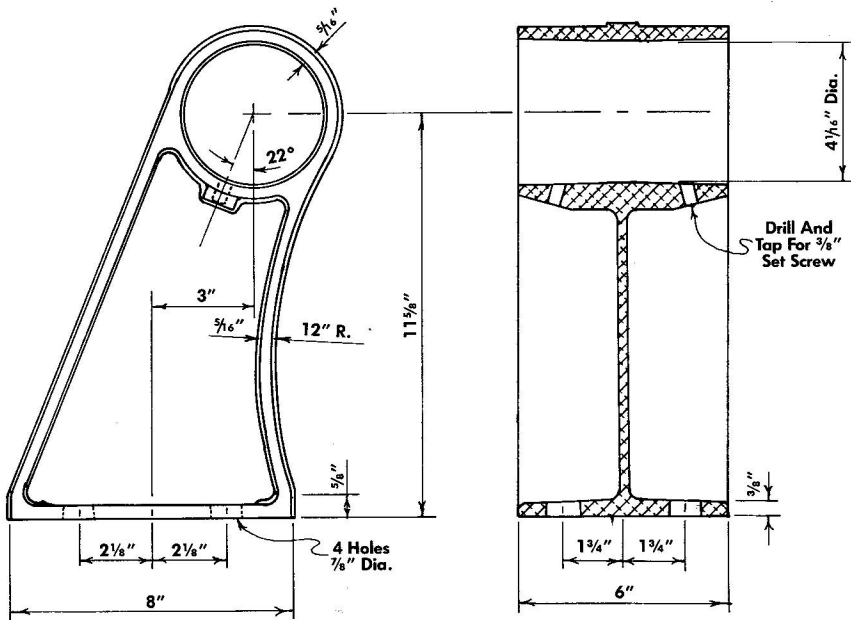


CA1-2



Side View

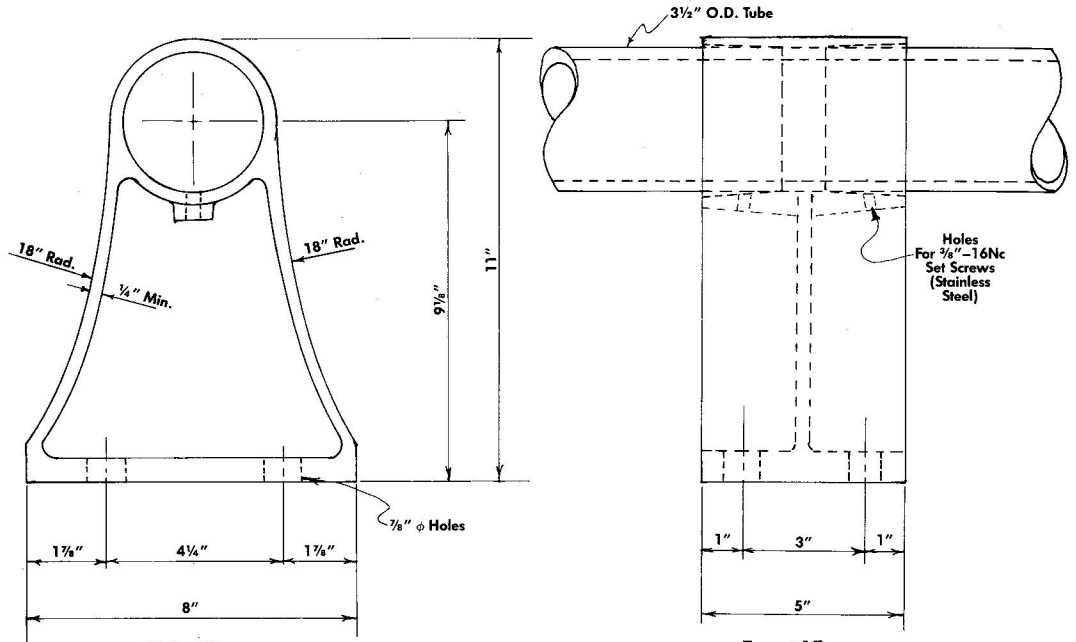
Front View

CA1-2

ELEMENT	DESCRIPTION
POST	CAST ALUMINUM ALLOY A356
RAIL	4" OD x 3/16 TUBE 6061-T6
ANCHOR BOLTS	PER ENGINEER SPEC.
SET SCREW	3/8" STAINLESS STEEL

CONFORMS TO TEXAS STATE STANDARD FOR T-15 RAIL.

CA1-3



Side View

Front View

CA1-3

ELEMENT	DESCRIPTION
POST	CAST ALUMINUM ALLOY A356
RAIL	3 1/2" OD TUBE 6061-T6
ANCHOR BOLTS	PER ENGINEER SPEC.
SET SCREW	3/8" STAINLESS STEEL

CONFORMS TO TEXAS STATE STANDARD FOR TYPE 16 RAIL.

**Aluminum Combination Rail
CA1-2 & CA1-3**

**Gordon's Specialties Inc.
Dallas, Texas**