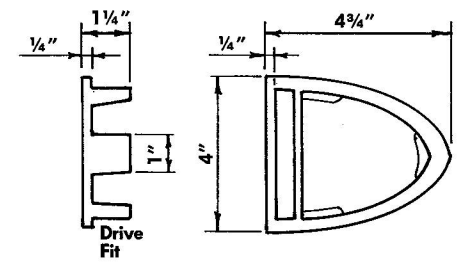
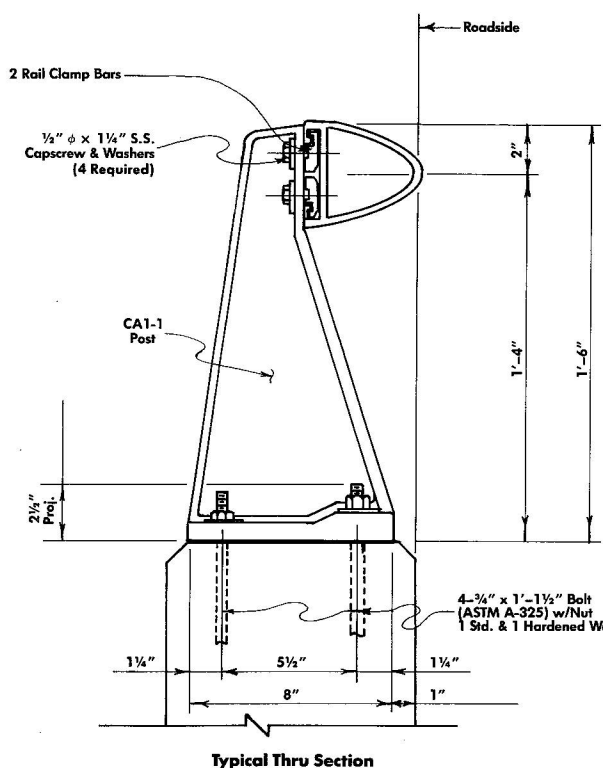


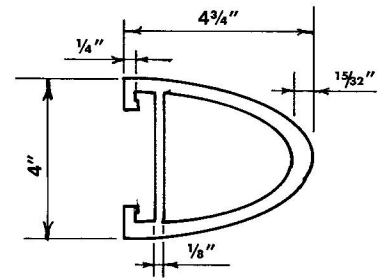
Typical Rail Detail



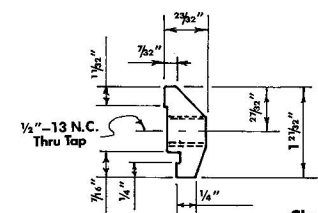
End Cap Detail



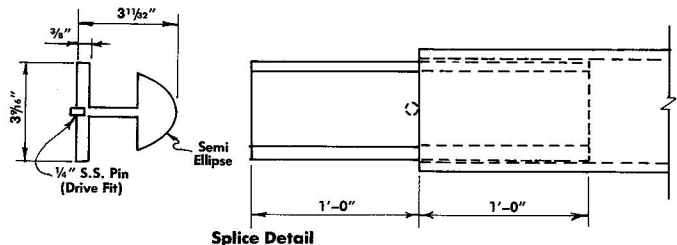
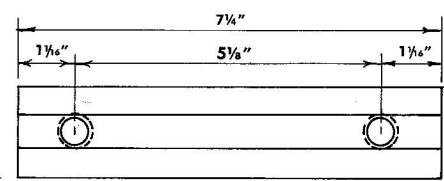
Typical Thru Section



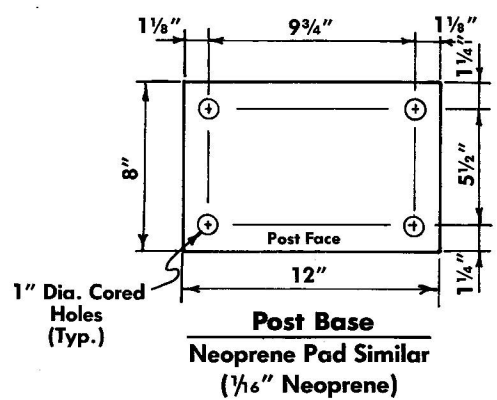
Rail Member



Clamp Bar Detail



Splice Detail



Post Base
Neoprene Pad Similar
(1/16" Neoprene)

Aluminum Combination Rail CA1-1

GENERAL NOTES:
 Posts Shall Be Cast Alum. Alloy A444-T4.
 Material For Rails & Splice & Clamp Bars Shall Be Alum. Alloy 6061-T6.
 Machine Screws For Rail Attachments Shall Be Stainless Steel.
 Anchor Bolts Shall Be ASTM A-325, Hot Dip Galvanized.
 This Rail Is Designed According To AASHTO 1977 Std, & Conforms To State Of Texas Std. For C-4 Rail.

Gordon's Specialties Inc.